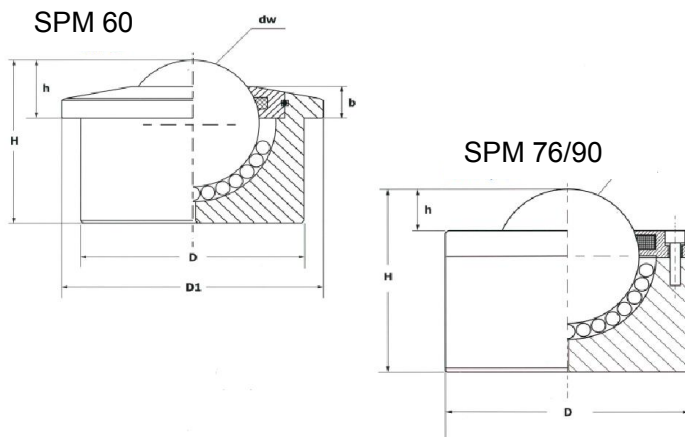


SBM-SPM Super heavy duty type



- Housing made of high performance machined from rod, case hardened and hardened steel.
- They guarantee high load capacities and higher resistance to strong conditions
- Reinforced cover cap made of machined steel detachable for facultative maintenance works (except SPM 60)
- Felt sealing system.
- Drain hole at the bottom.

SBM-SPM Super heavy duty type for high loads

Article	Type	Version	Dimensions						Loading-capacity		Weight kg
			d _w	D	D1	h	H	b	↑	↓	
SPM06000A	SPM 60 A	Body made of steel, balls made of AISI 52100 chrome steel	60	100 ± 0,1	117	30 ± 0,4	77,5	15	1500	900	4
SBM07600A	SBM 76 A		76	130 ± 0,1	-	23 ± 0,4	103	-	2500	1500	10
SBM09000A	SBM 90 A		90	145 ± 0,1	-	25 ± 0,4	115	-	3000	2000	11,250
SPM06000B	SPM 60 B	Body made of zinc plated steel, balls made of AISI 52100 chrome steel	60	100 ± 0,1	117	30 ± 0,4	77,5	15	1500	900	4
SBM07600R	SBM 76 B		76	130 ± 0,1	-	23 ± 0,4	103	-	2500	1500	10
SBM09000B	SBM 90B		90	145 ± 0,1	-	25 ± 0,4	115	-	3000	2000	11,250
SPM06000c	SPM 60 C	Body made of zinc plated steel, balls made of AISI 420C stainless steel	60	100 ± 0,1	117	30 ± 0,4	77,5	15	900	600	4
SBM07600C	SBM 76 C		76	130 ± 0,1	-	23 ± 0,4	103	-	1500	900	10
SBM09000C	SBM 90 C		90	145 ± 0,1	-	25 ± 0,4	115	-	1800	1200	11,250
SPM06000SS	SPM 60 SS	Body, components and all the balls made of AISI 420C stainless steel	60	100 ± 0,1	117	30 ± 0,4	77,5	15	900	600	4
SBM07600SS	SPM 76 SS		76	130 ± 0,1	-	23 ± 0,4	103	-	1500	900	10
SBM09000SS	SPM 90 SS		90	145 ± 0,1	-	25 ± 0,4	115	-	1800	1200	11,250