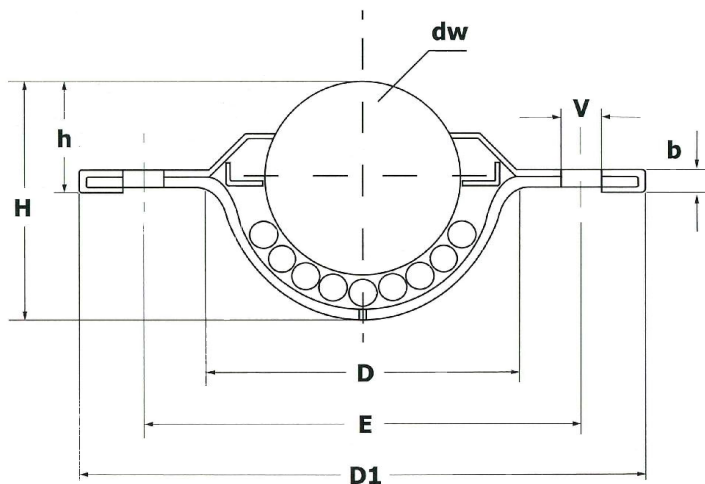


SPS DV pressed metal sheet type



- Housing in hardened and zinc plated pressed metal sheet.
- Holes on the flange for fixing by means of screws or rivets.
- To guarantee a better fluency, the felt sealing system is not present.
- Version with the big ball made of plastic material:
 - is particularly suitable to handle gentle surfaces as glass or crystal sheets, wood panels, painted or glazed
 - pressed metal sheets, and so on;*
 - working temperatures 0°/60°.

SPS DV pressed metal sheet type

Article	Type	Version	Dimensions									Weight kg
			d _w	D	D1	h	H	b	V	E	N°	
SPS01500BDV	SPS 15 B DV	Body made of zinc plated steel, balls made of AISI 52100 chrome steel	15	24 - 0,2	41	10,8 ± 0,2	19,3	3,4	3,5	30	2	0,045
SPS01500CDV	SPS 15 C DV	Body made of zinc plated steel, balls made of AISI 420C stainless steel	15	24 - 0,2	41	10,8 ± 0,2	19,3	3,4	3,5	30	2	0,045
SPS01500BDDV	SPS 15 BD DV	Body made of zinc plated steel, big ball made of plastic*, small balls made of AISI 52100 chrome steel	15	24 - 0,2	41	10,8 ± 0,2	19,3	3,4	3,5	30	2	0,034
SPS01500CDDV	SPS 15 CD DV	Body made of zinc plated steel, big ball made of plastic*, small balls made of AISI 420C stainless steel	15	24 - 0,2	41	10,8 ± 0,2	19,3	3,4	3,5	30	2	0,034
SPS02500BDV	SPS 25 B DV	Body made of zinc plated steel, balls made of AISI 52100 chrome steel	25	38 - 0,3	56	14,6 ± 0,3	30	4	4	45	2	0,13
SPS02500CDV	SPS 25 C DV	Body made of zinc plated steel, balls made of AISI 420C stainless steel	25	38 - 0,3	56	14,6 ± 0,4	30	4	4	45	2	0,13
SPS02500BDDV	SPS 25 BD DV	Body made of zinc plated steel, big ball made of plastic*, small balls made of AISI 52100 chrome steel	25	38 - 0,3	56	14,6 ± 0,2	30	4	4	45	2	0,075
SPS02500CDDV	SPS 25 CD DV	Body made of zinc plated steel, big ball made of plastic*, small balls made of AISI 420C stainless steel	25	38 - 0,3	56	14,6 ± 0,2	30	4	4	45	2	0,075